

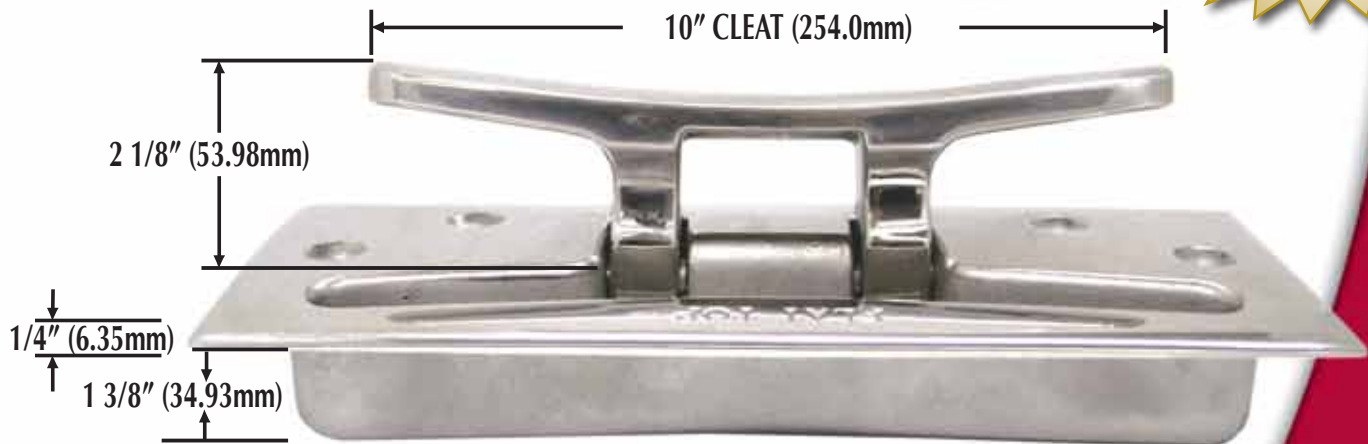
10 INCH HD FLAT-TOP CLEAT PRODUCT # 1100



- This is a "Heavy Duty" Cleat
- This cleat rotates on a 1/2" pin
- Weight: 12.25 lbs. (5.56 kg)
- Will take a 1" line



**ONLY
ONE MOVING
PART!**



**There is only one moving part. No springs, drain tubes, cups, or buttons to go bad.
A very simple and unique design.**